

DES QUESTIONS? TURTLEBEACH.COM/SUPPORT
 IMPORTANT À LIRE AVANT UTILISATION
 ANY QUESTIONS? TURTLEBEACH.COM/SUPPORT
 IMPORTANT: READ BEFORE USING

GUIDE DE DÉMARRAGE RAPIDE QUICK-START GUIDE

UNIVERSAL STAND FOR SIMULATION ACCESSORIES | SUPPORT UNIVERSEL POUR ACCESSOIRES DE SIMULATION

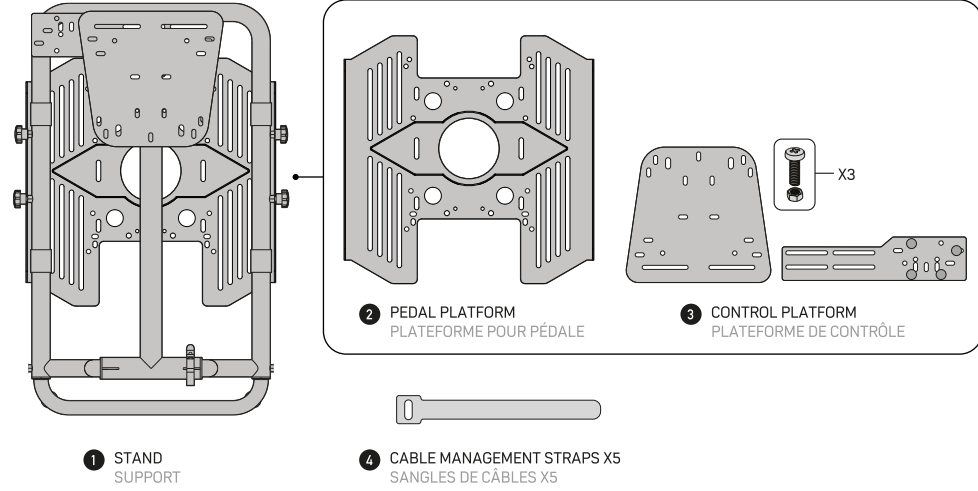
VELOCITYONE™ STAND



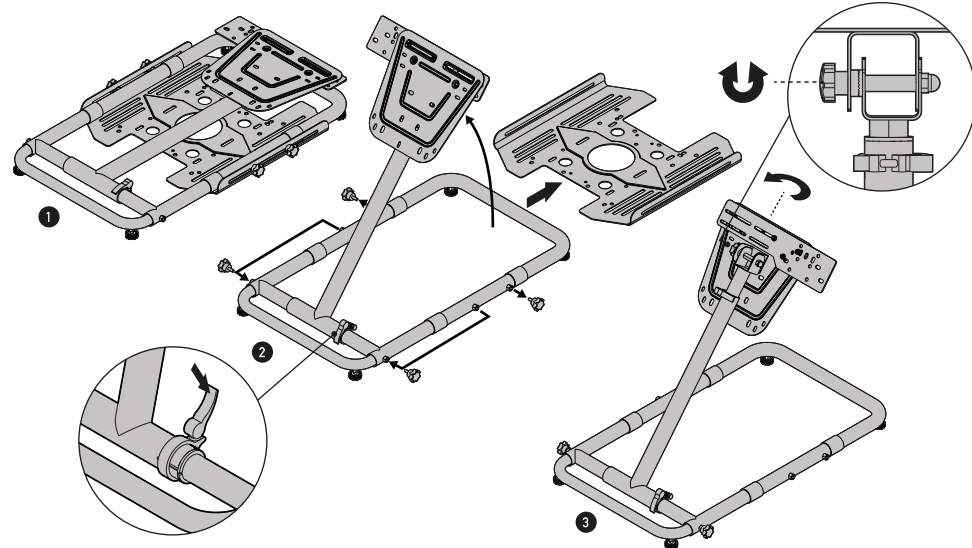
WWW.TURTLEBEACH.COM

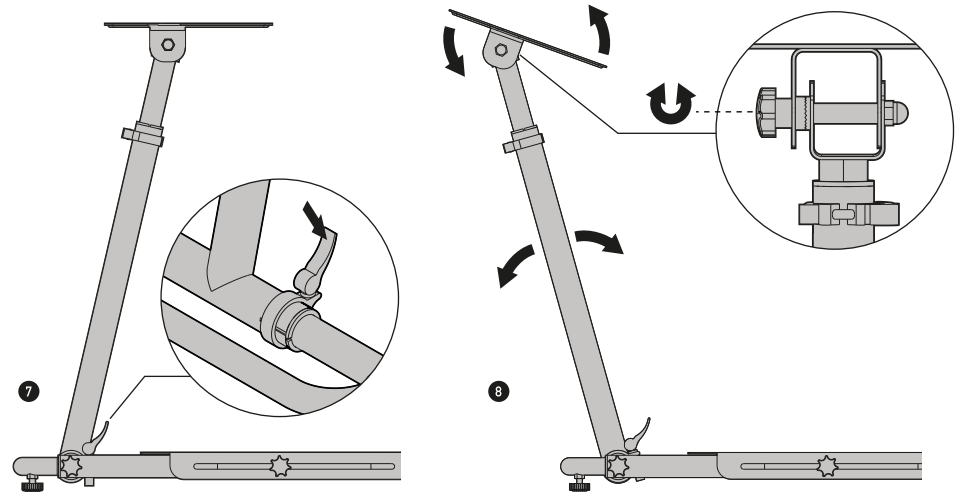
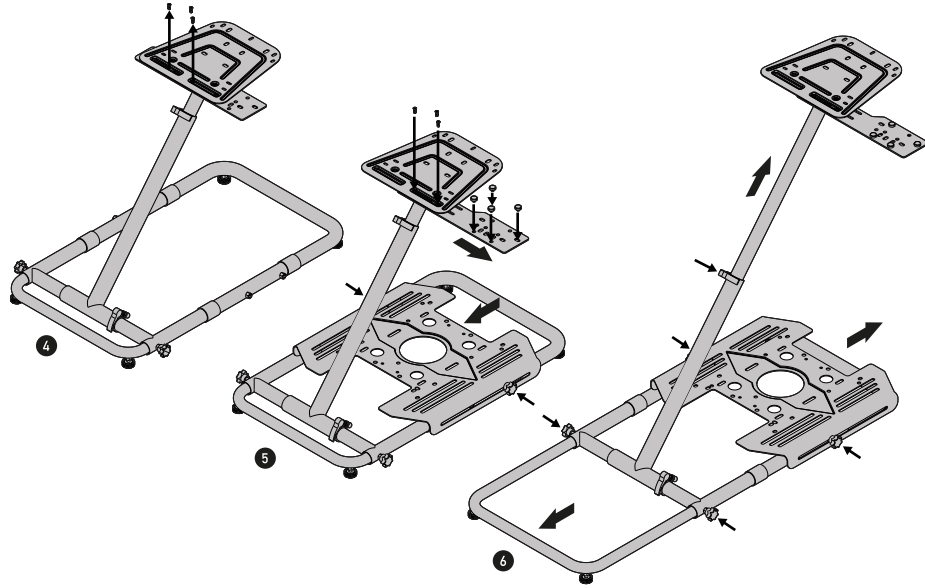
TBS-0720-05-056-C

CONTENTS | CONTENU

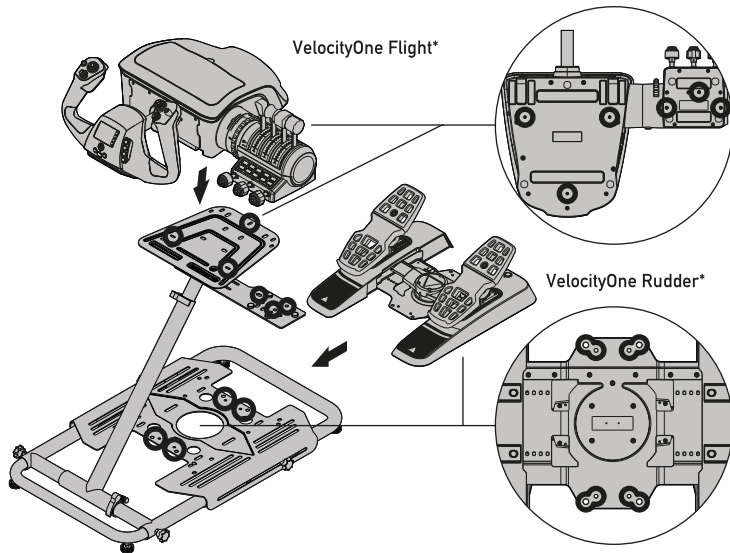


HARDWARE SETUP | CONFIGURATION DE L'INSTALLATION





MOUNTING VELOCITYONE HARDWARE | MATÉRIEL DE VELOCITYONE FIXATION



*Sold separately

*Vendu séparément

- ES *Vendido por separado
- DE *Separat erhältlich
- IT *Venduto separatamente
- PT *Vendido em separado
- SE *Säljs separat
- DK *Sælges separat
- NL *Afzonderlijk verkocht
- KR *별도 판매
- JP *別売り

European Union and European Fair Trade Association (EFTA) Regulatory Compliance

Declaration of Conformity

Applicable Standards:

94/62/EC Toxic Elements in Packaging
Additional licenses issued for specific countries available on request.

Please visit the following URL for a complete copy of the Declaration of Conformity:
<http://www.turtlebeach.com/homologation>

Environmental:
REACH: SVHC233
ROHS: IEC 62321
CPSIA+CA65: CPSIA+CA65;CPSIA/H.R.4040

Packaging:
TPCH
92/62/EC

Voyetra Turtle Beach Inc. is obligated as a producer with a main activity of selling under The Producer Responsibility Obligations (Packaging Waste) Regulations 2007. To fulfil our obligation we are registered with Comply Direct and their Recycling Room. Here you will find advice and information on packaging waste management, recycling symbols and the waste hierarchy principles of reduce, reuse and recycle.
<https://www.complydirect.com/the-recycling-room/>